

# Standard Lens Mount Adapters

---

Lens mount adapters are available for a variety of lens types, including both threaded lenses and bayonet-style lenses. The lens adapters generally consist of a circular plate with the appropriate lens mount features in the center of the plate and a set of holes near the circumference that allow the adapter plates to be installed on the LensCheck™ or OpTest® system.

The basic geometry of these adapters and the available types are included in this document. Prices for each adapter are available upon request.

## Adapter Types

---

There are three basic categories of LensCheck and OpTest Lens Mount Adapters:

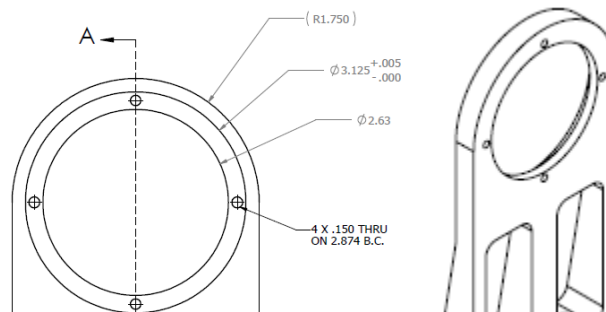
- o LC Series adapters are designed to mount to the LensCheck tower
- o RLM Series adapters are designed to mount to the LensCheck Rotary Lens Mount
- o OPT Series adapters are designed to mount to the OpTest LM-300 Tip/Tilt Lens Mount

Optikos also provides a series of miscellaneous adapters and plates that are shown in the last section of this document.

### Standard *LensCheck*™ Adapters (LC Series)

---

Standard LensCheck adapters have four through threaded holes designed for use with the standard LensCheck Tower as shown below.



*LensCheck Adapter Bolt Pattern*

*LensCheck Tower Mount*

©Optikos Corporation  
Issue Date: October 3, 2016

ANYWHERE LIGHT GOES™

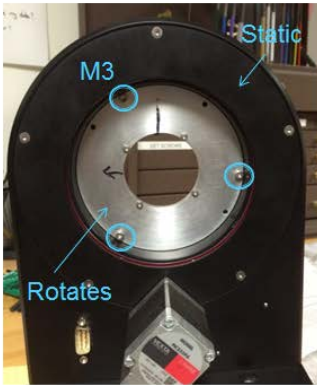
An example of an LC type adapter is shown below.



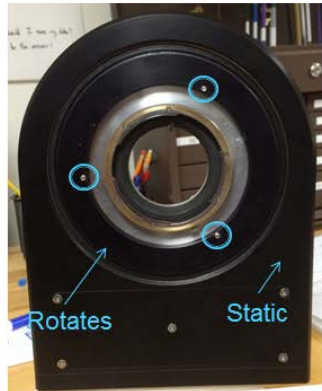
*M12 Adapter for LensCheck*

### LensCheck Rotary Mount Adapters (RLM Series)

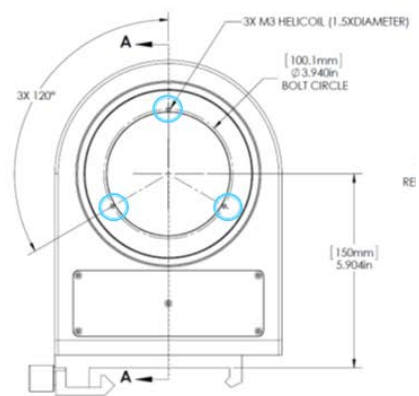
The LensCheck Rotary Mount Adapters are designed for use on the LensCheck Rotary Lens Mount. These adapters have three through-holes that allow it to be installed on the Rotary Lens Mount using M3 screws.



Lens mount inserts from this side and is retained by M3 screws



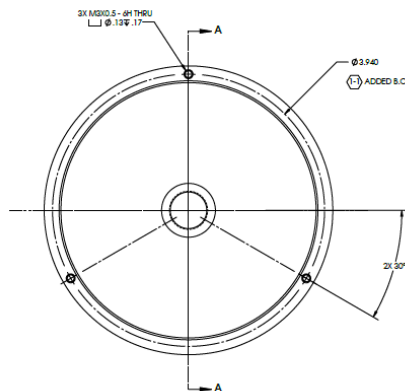
M3 screws as seen from panel side



Examples of RLM type lens adapters are shown below.



*M12 Adapter for Rotary Lens Mount*

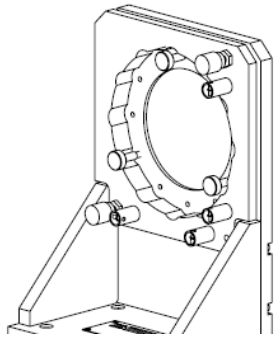


*C-Mount Adapter for Rotary Lens Mount*

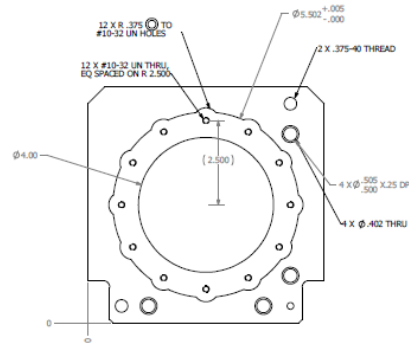
## OpTest® Adapters (OPT Series)

---

OpTest Lens Mount Adapters are designed to be mounted on the standard OpTest LM-300 Tip/Tilt Lens Mount. These adapters have multiple through-holes that allow them to be installed on the LM-300 mount using #10-32 thumbscrews.

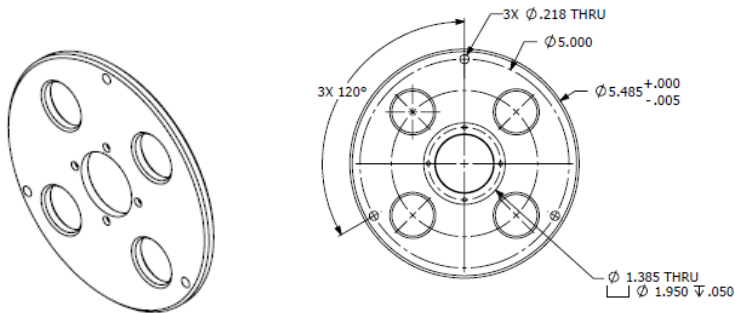


*LM-300 Tip/Tilt Lens Mount*

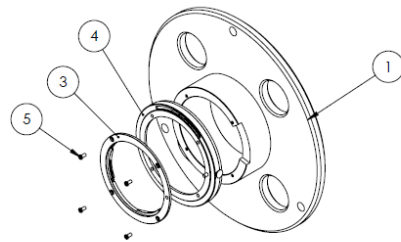


*LM-300 Bolt Pattern*

Examples of OPT Series lens adapters are shown below.



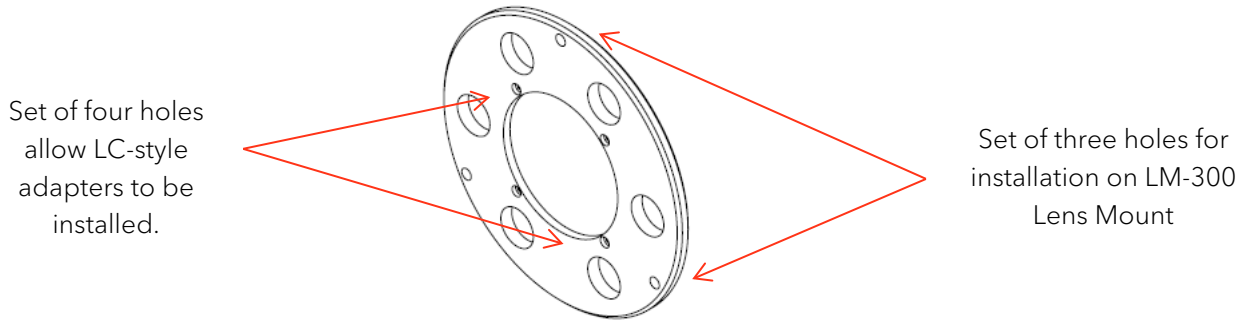
*C-Mount Plate for LM-300*



*Bayonet-Style Nikon Lens Mount for LM-300*

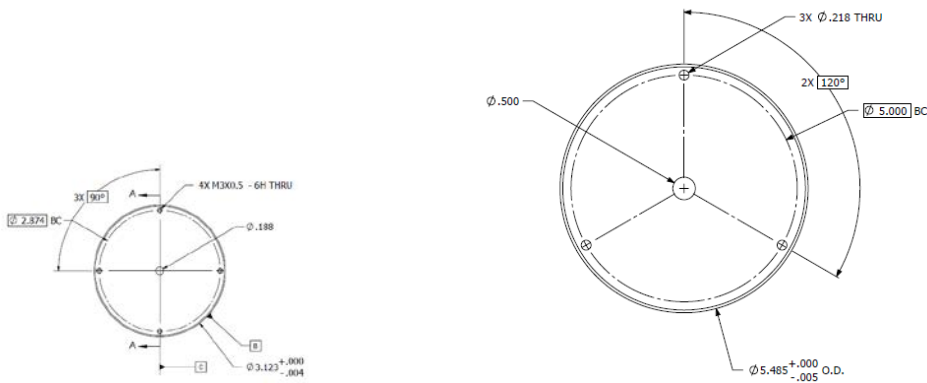
# Miscellaneous Adapters

The adapter shown below allows all LensCheck (LC) adapter plates to be installed on the LM-300 Tip/Tilt Mount.



*OPT-LC-ADP Adapter for Using LensCheck Adapter Plates on the OpTest LM-300 Mount*

The blank adapters shown below can be used by the customer to add desired lens mount features in the future.



*1-04-2510 Blank Adapter for LensCheck*

*1-04-2511 Blank Adapter for OpTest LM-300 Mount*

## Adapter Types:

LC Series - LensCheck Adapters		
Part No.	Description	Notes
LC-CM	C-mount	1"-32
LC-D	D-mount	0.625"-32
LC-M12	M12x0.35mm	M12x0.35mm
LC-M13	M13x1mm	M13x1mm
LC-M16	M16x0.5mm	M16x0.5mm
LC-M39	M39 lens mount	M39x0.977mm
LC-M42	M42 lens mount	M42x1mm

LC-MITU	Mitutoyo microscope	M26x0.706mm
LC-NIK	Nikon microscope	M25x0.75mm
LC-RMS	RMS microscope	0.800"-36
LC-S	S-mount	M12x0.5mm
LC-SM05	Thorlabs SM05	0.535"-40
LC-SM1	Thorlabs SM1	1.035"-40
LC-SM2	Thorlabs SM2	2.035"-40
LC-SM-30	Thorlabs SM30	M30.5x0.5
LC-T	T-mount	M42x0.75mm
LC-ZEISS	Zeiss microscope	M27x0.75mm
LC-CAN	Canon EF-mount	bayonet
LC-LEI-M	Leica M-mount	bayonet
LC-NIK-F	Nikon F-mount	bayonet
LC-OLY-OM	Olympus OM-mount	bayonet
LC-PEN-K	Pentax K-mount	bayonet
LC-SIG-SA	Sigma SA-mount	bayonet
<b>RLM Series – LensCheck Rotary Lens Mount Adapters</b>		
RLM-RMS	RMS (Royal Microscope Society) Mount	0.8"-36
RLM-CM	C-Mount	1"-32
RLM-M14	M14 x 0.5 Lens Mount	M14x0.5
RLM-M12	M12 x 0.5 Lens Mount	M14x0.5
RLM-MAMIYA	Bayonet-Style Mount for Mamiya Lenses	Bayonet
<b>OPT Series – OpTest Lens Mount Adapters</b>		
OPT-LEI-M	Leica M-mount	bayonet
OPT-NIK-F	Nikon F-mount	bayonet
OPT-OLY-OM	Olympus OM-mount	bayonet
OPT-PEN-K	Pentax K-mount	bayonet
OPT-SIG-SA	Sigma SA-mount	bayonet
OPT-CM	C-mount	1"-32
OPT-LC-ADP	Adapter for LC Series Plates	Mounts to OpTest LM-300